

RADIAL FANS

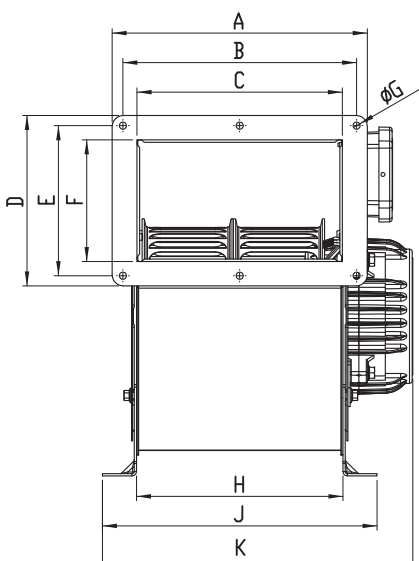
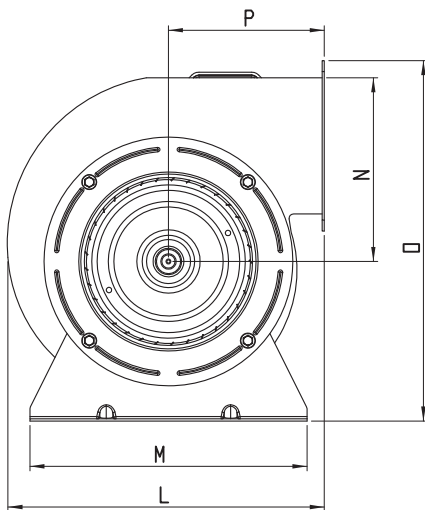


ÇES

AC CENTRIFUGAL BLOWERS Double Inlet

Double Inlet ÇES fan have high functional performance used in wide application areas.

Technical Drawings



MATERIAL

: Housing is made of electrostatic powder coated sheet metal, forward curved impeller is made of galvanized sheet metal.

INSULATION CLASS

: Class B

DIRECTIVE

: EN 60335-1, EN 60335-2-80

SPEED CONTROL

: Speed can be adjusted using an optional controller.

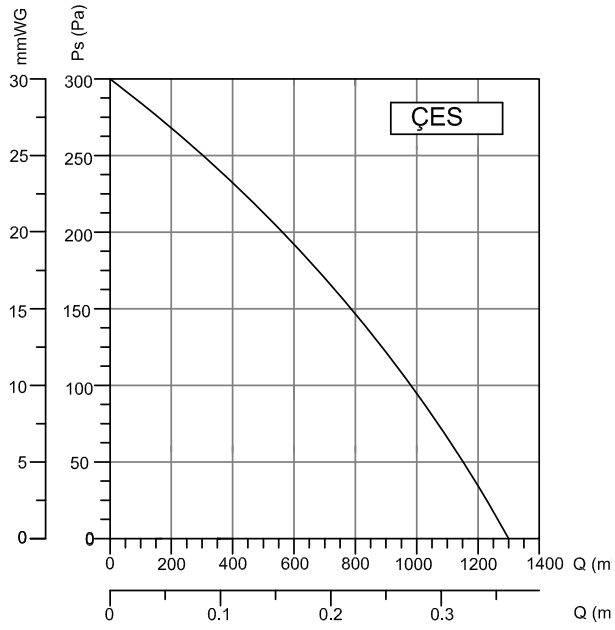
APPLICATION AREAS

: Green houses, factories, depots, dyehouses, shopping centers, workshops(plants) etc. Big volumed places to ventilate.

TYPE	VOLTAGE V	FREQUENCY Hz	POWER W	CURRENT (A)	CAPACITOR (µF)	SPEED d/d	AIR FLOW m³/h	SOUND PRESSURE LEVEL dB(A)	WEIGHT kg
ÇES	230	50	217	1,1	8	1420	1300	50	9

TYPE	A	B	C	D	E	F	G	H	J	K	L	M	N	O	P
ÇES	232	213	187	155	137	111	7	188	250	282	288	252	167	328	142

Dimensions are in (mm)



Accessories



BSC



DUCT FANS

ROOF FANS

AXIAL FANS

RADIAL FANS

PLASTIC FANS

VENTILATORS

SMOKE EXHAUST SYSTEMS

ACCESSORIES